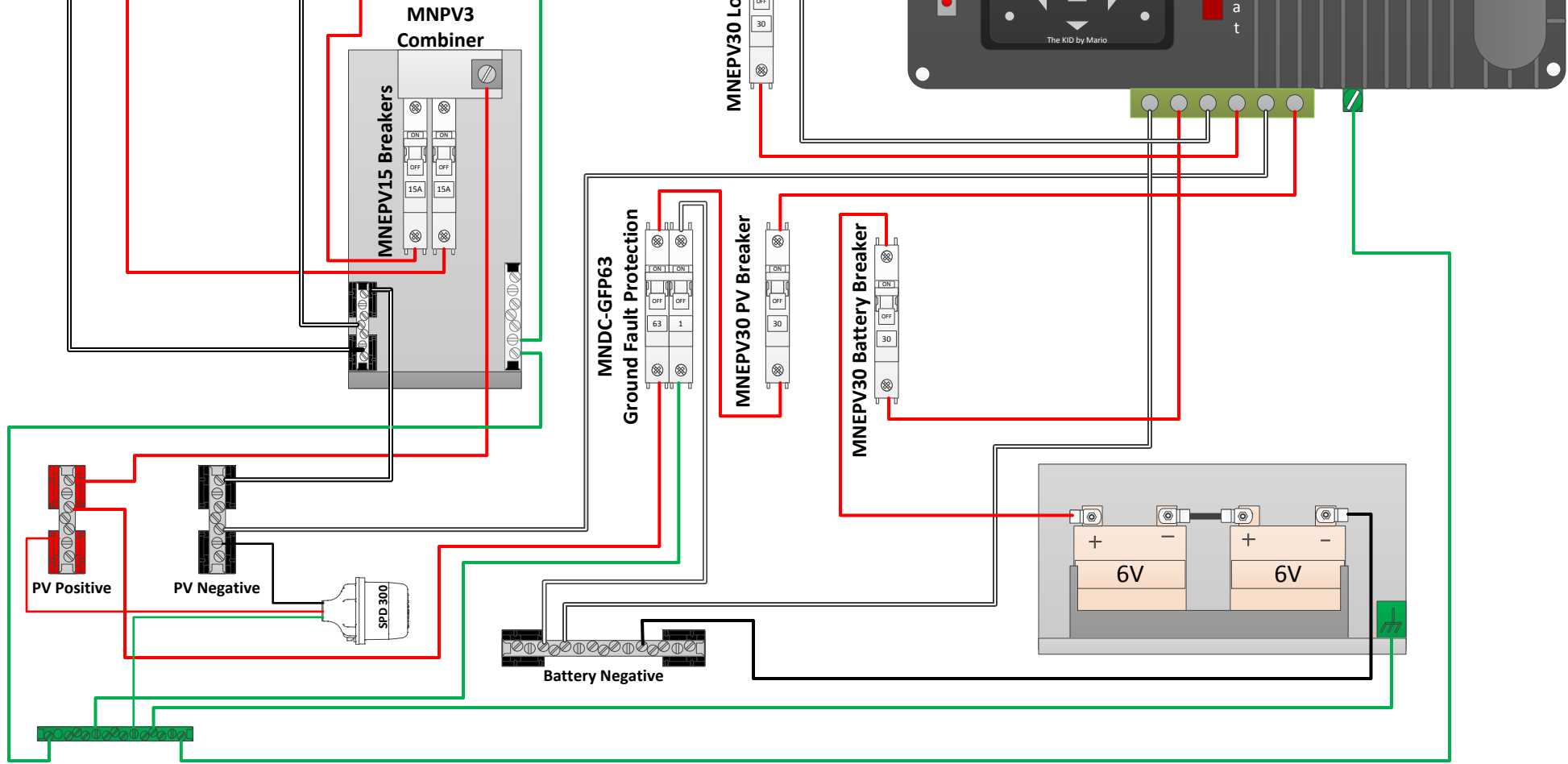


Typical 230-250
watt
Panel. Open
Circuit Voltage
(VOC) around 37
volts

Typical 230-250
watt
Panel. Open
Circuit Voltage
(VOC) around 37
volts



12 volt 30 amp MAX
DC load



12 volt battery 2 Solar panels in Parallel



PV Positive

PV Negative

SPD 300

MNDC-GFP63
Ground Fault Protection

Battery Negative

MNEPV30 PV Breaker

MNEPV30 Battery Breaker

MNEPV30 Load Breaker

MNPV3
Combiner

MNEPV15 Breakers

MidNite
Solar

MidNite Solar
The KID

Load Clipper

Input
Bat

M
P
P
P
T

6V

6V