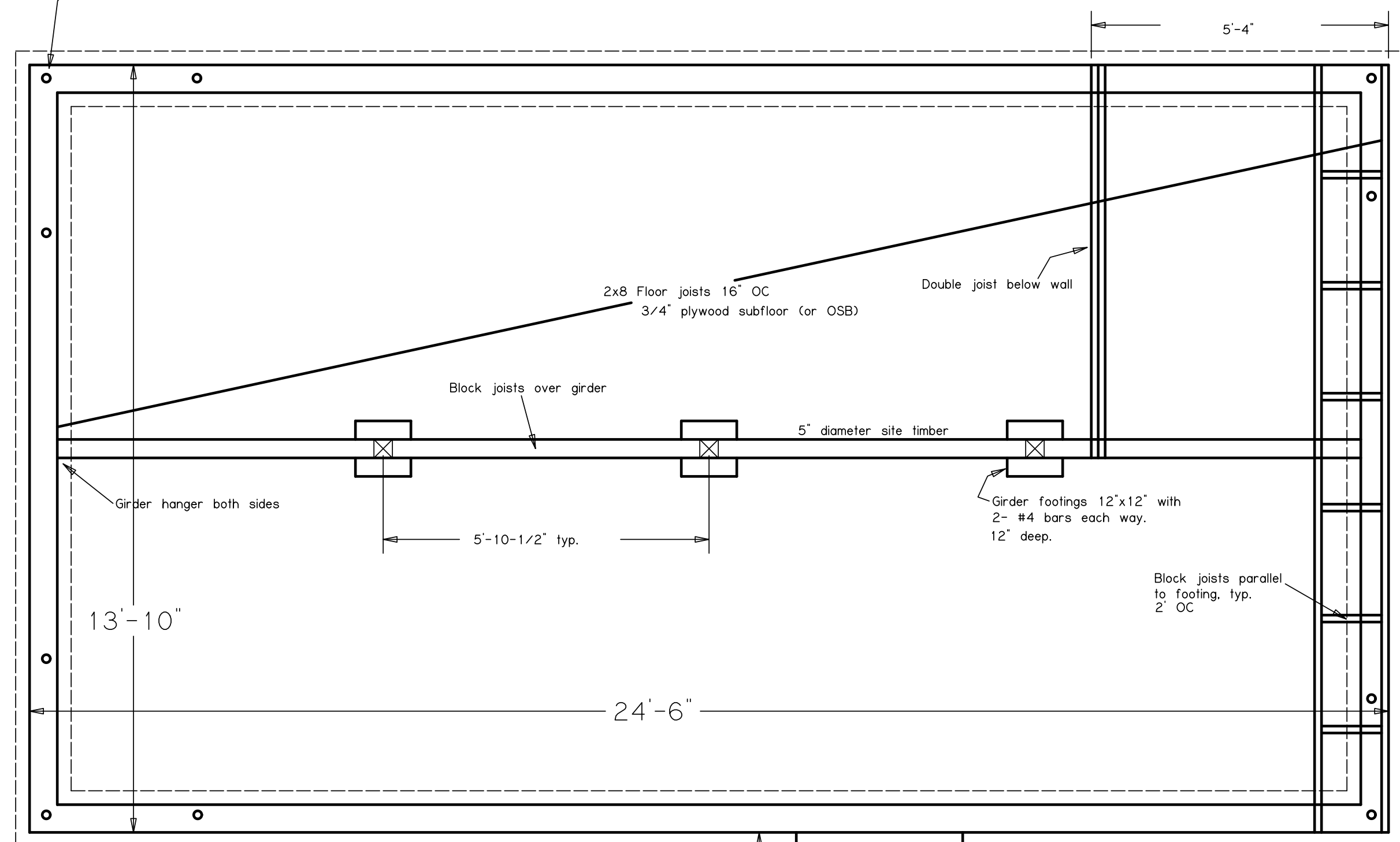
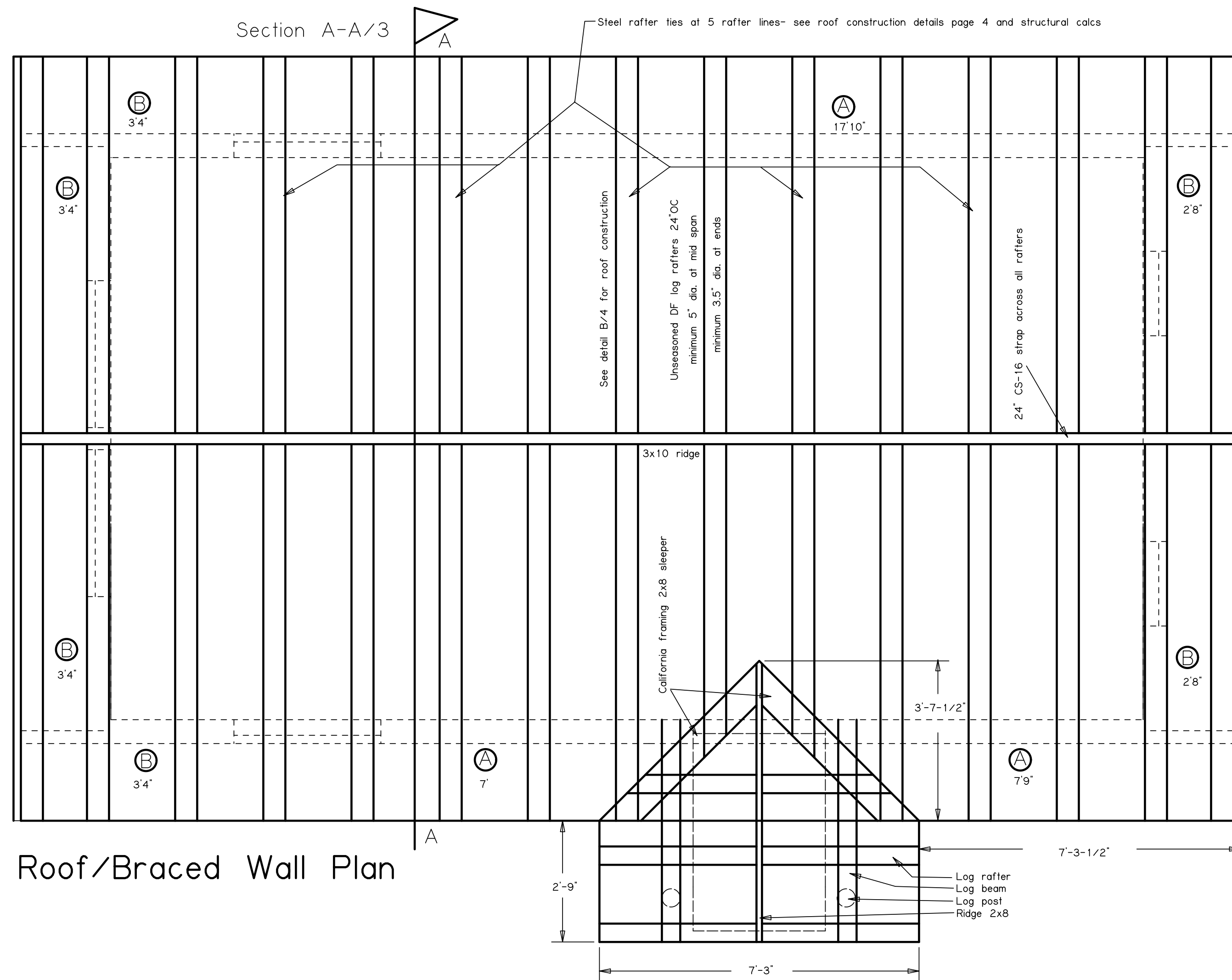
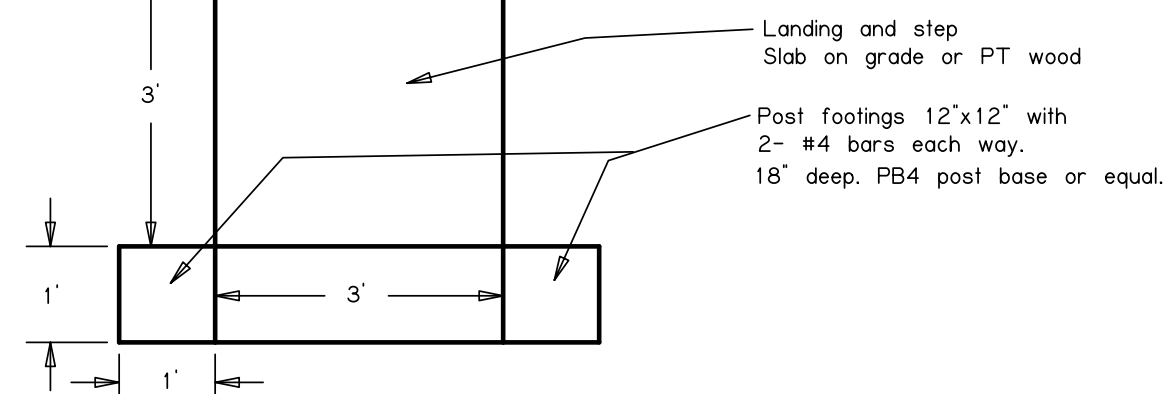


Underfloor venting:
Two 4" x 12" vents on each rim joist, total eight vents for 2-2/3 sq ft total venting. 300/150 = 2 sq ft req'd
Vent mesh 1/16" to 1/8" openings.

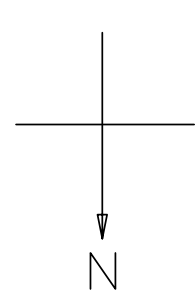
Floor Plan



Foundation/Floor Framing Plan



Roof/Braced Wall Plan



Braced Wall Panel Notes Seismic category D

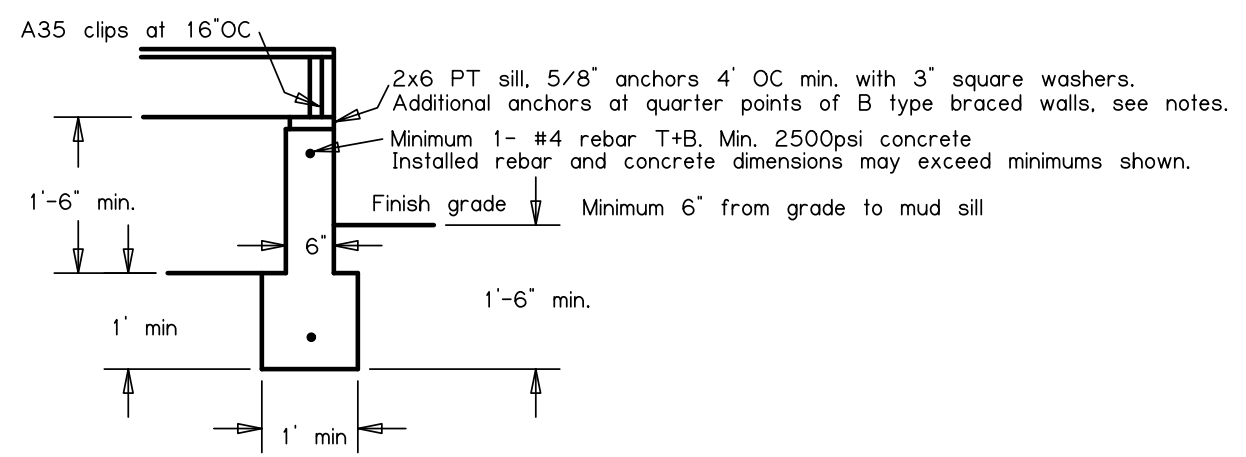
- (A) Panel Type A- Minimum 5' 4" width, 3/8" thick or greater wood structural panel. Nailing 8d at 6 and 12.
- (B) Panel Type B- Minimum 32" width, 3/8" thick or greater wood structural panel. Nailing 8d at 6 and 12. One anchor bolt at each foundation quarter point. Hold downs at outside studs with min. 1800lb. uplift.

Framing/Roof Sheath Notes

- Floor joists 2x8 at 16"OC, studs 2x6 at 16"OC, floor plywood 3/4"
- Rafters unseasoned DF logs, 5" min. dia. at mid span, 3.5" min dia. at ends, see structural calcs
- Shear transfer- A35 clips @ sill to rim, 16" OC. LTP4 clips top plate to blocking, 24" OC.
- 1" clip at each rafter/top plate connection.
- All door/window headers 4x6.
- Roof Sheathing 3/8" structural panel over 3/4" interior finish material. Nailed at 6" to wall blocking, 6 and 12 to rafters.
- Balloon frame gable end walls

Log Grading Specifications

- 1- All use of logs shall adhere to International Log Builders Association standards.
- 2- Rafters shall be of straight grain, or right hand spiral grain no greater than 1 in 10 to log axis.
- 3- Use no logs with rot, decay, physical defects, crooks, or serious sweep.
- 4- Use logs with minimum taper.
- 5- Use logs with the fewest and smallest knots.



Footing section typical