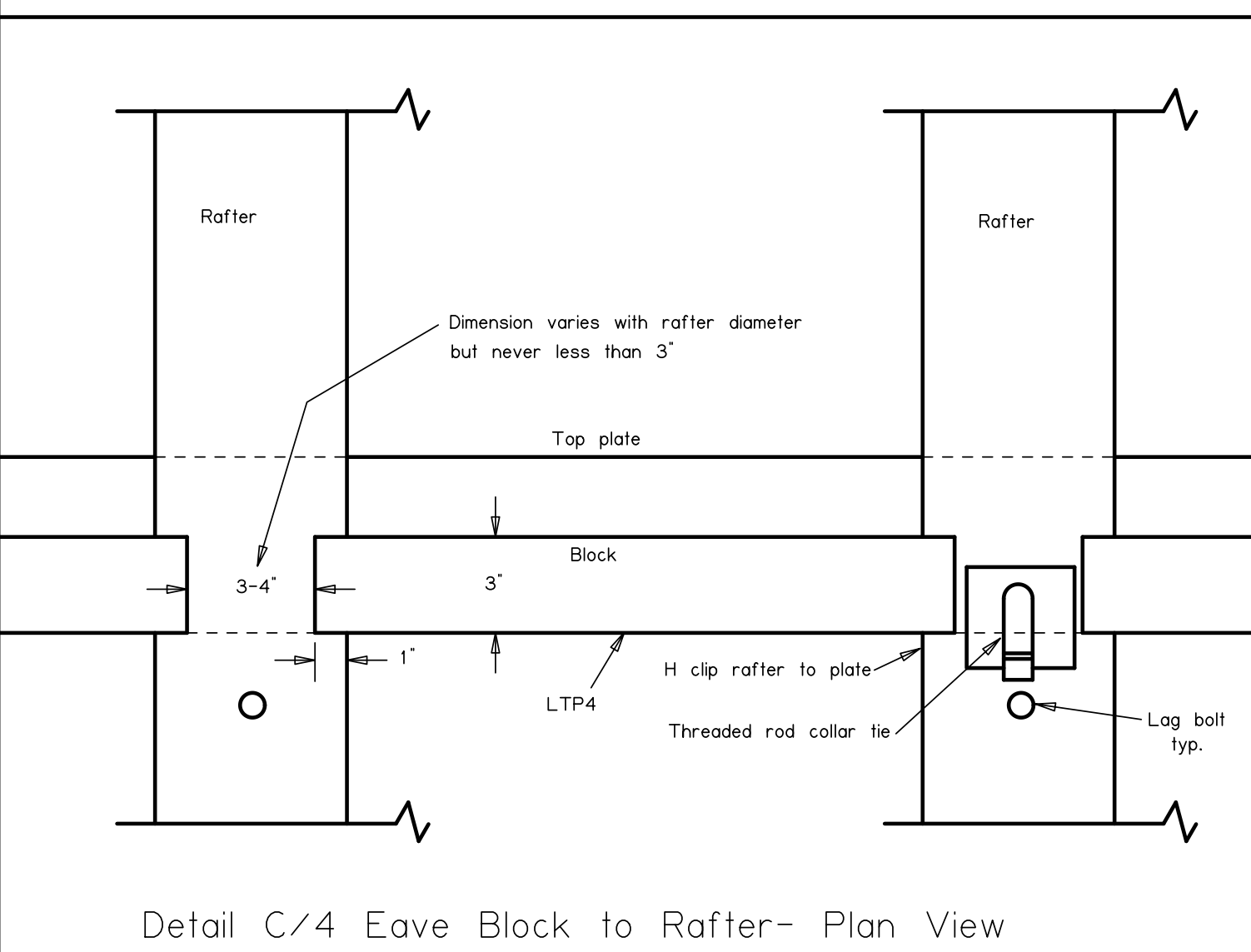
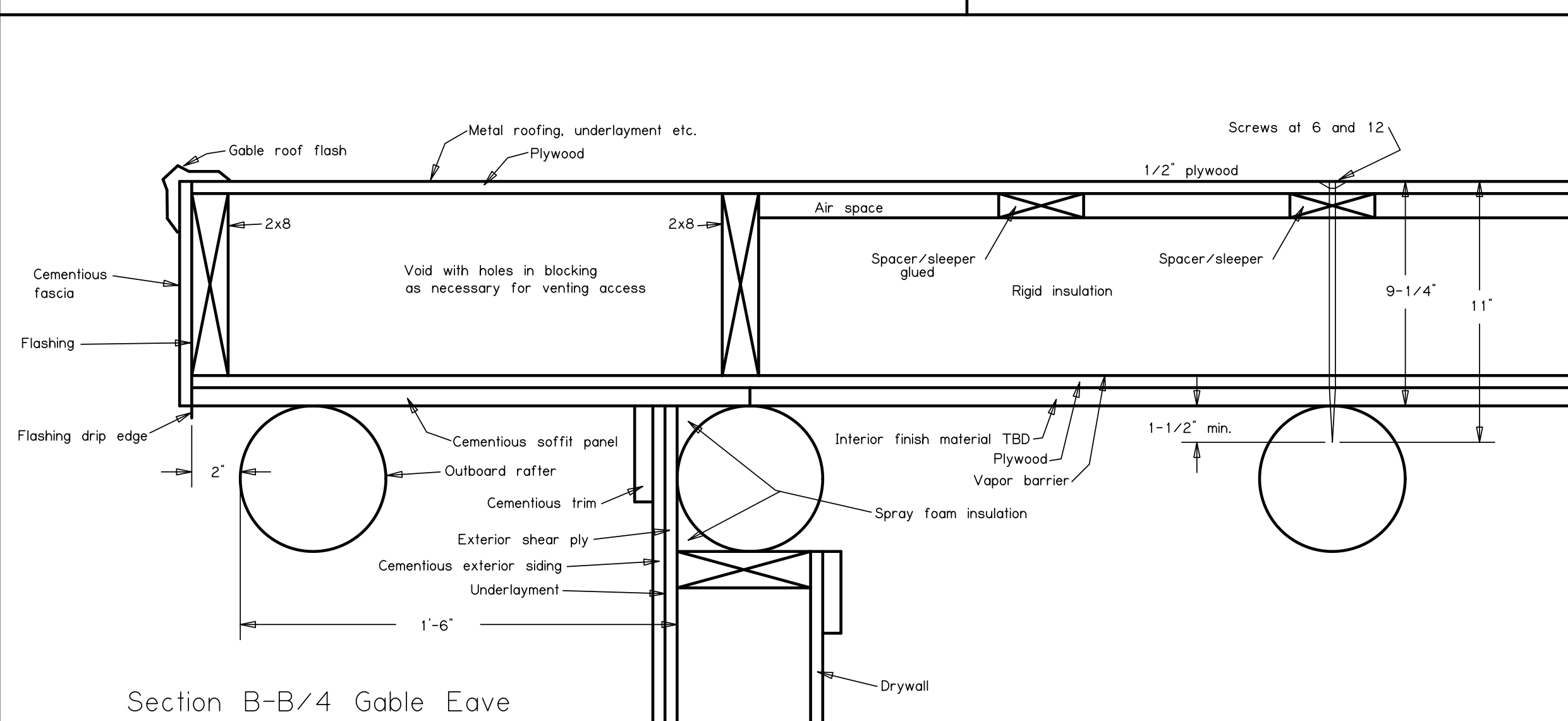
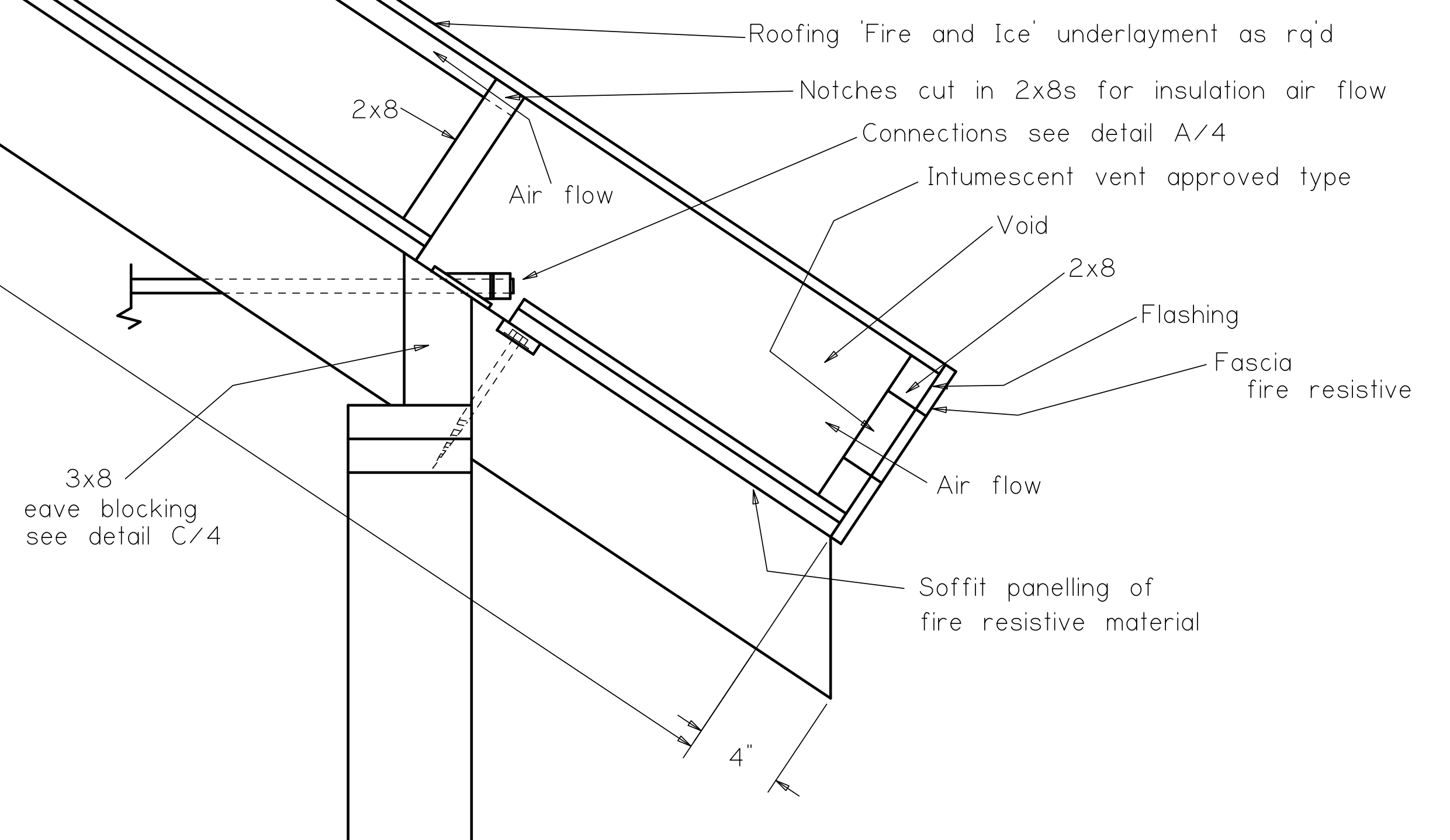


Detail B/4
Roof Construction



9'-9-3/16"
Total rafter length 10'-1-1/4"



Eave vent area calc
Total area of roof over conditioned space = 384 sq. ft.
384/150 = 2.56 sq. ft. required area
Intumescent vent type and area per vent TBD, VIF