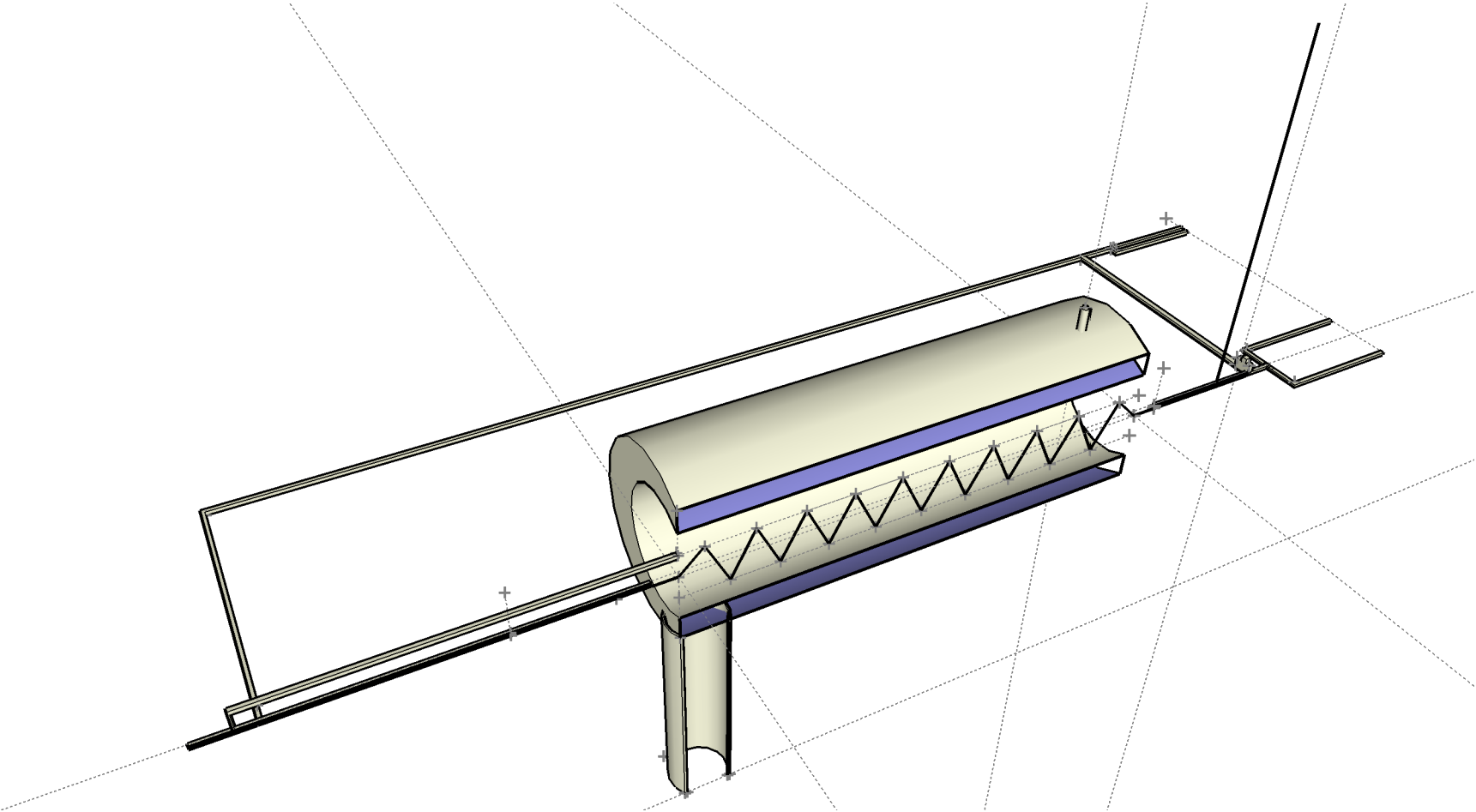
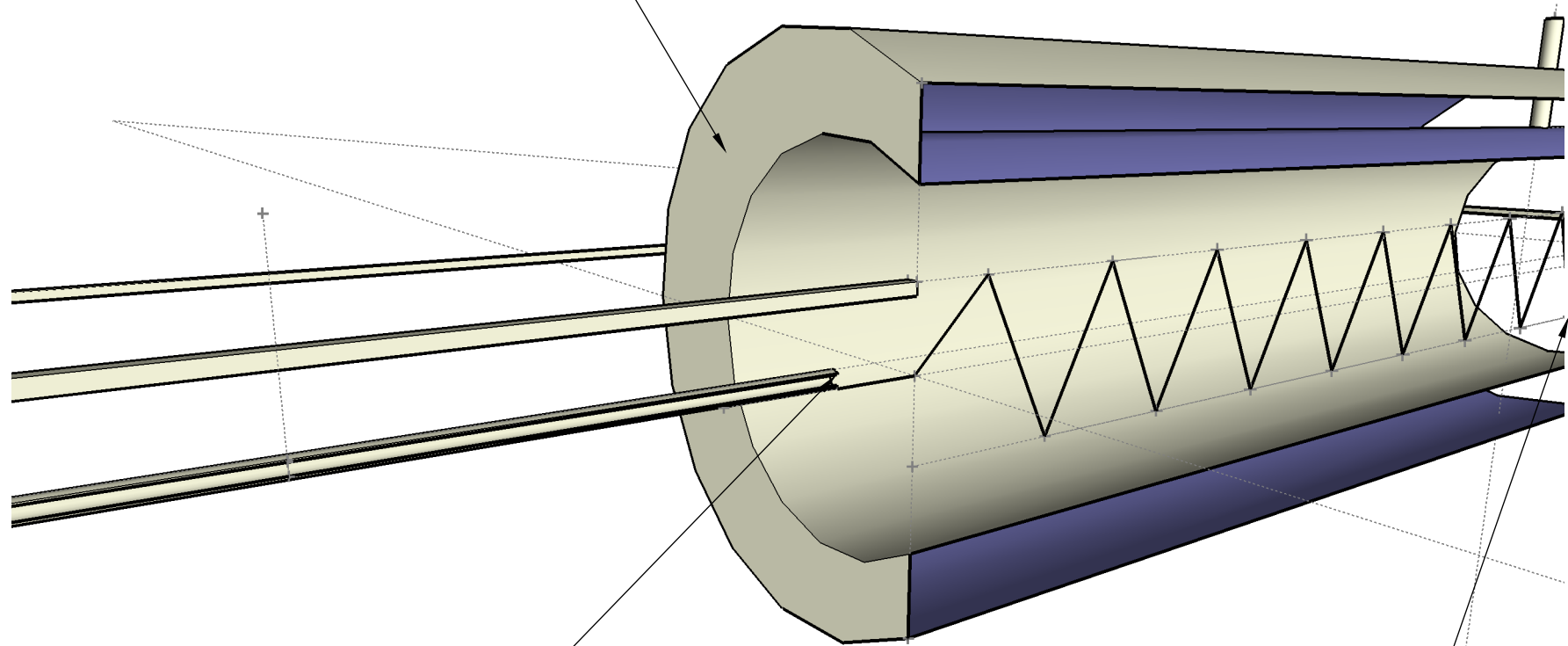


# Rocket Fire Mass Hot Water System

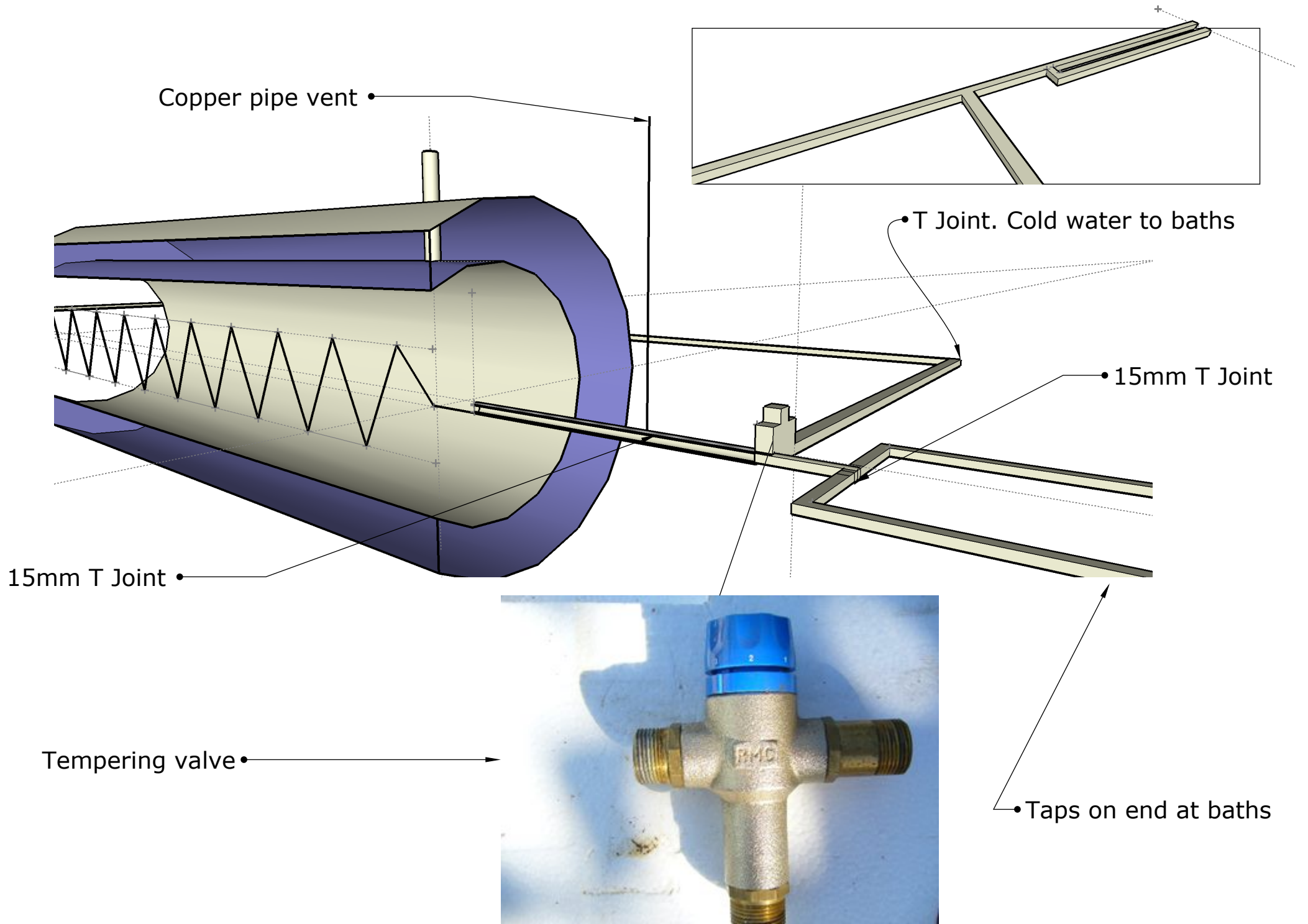


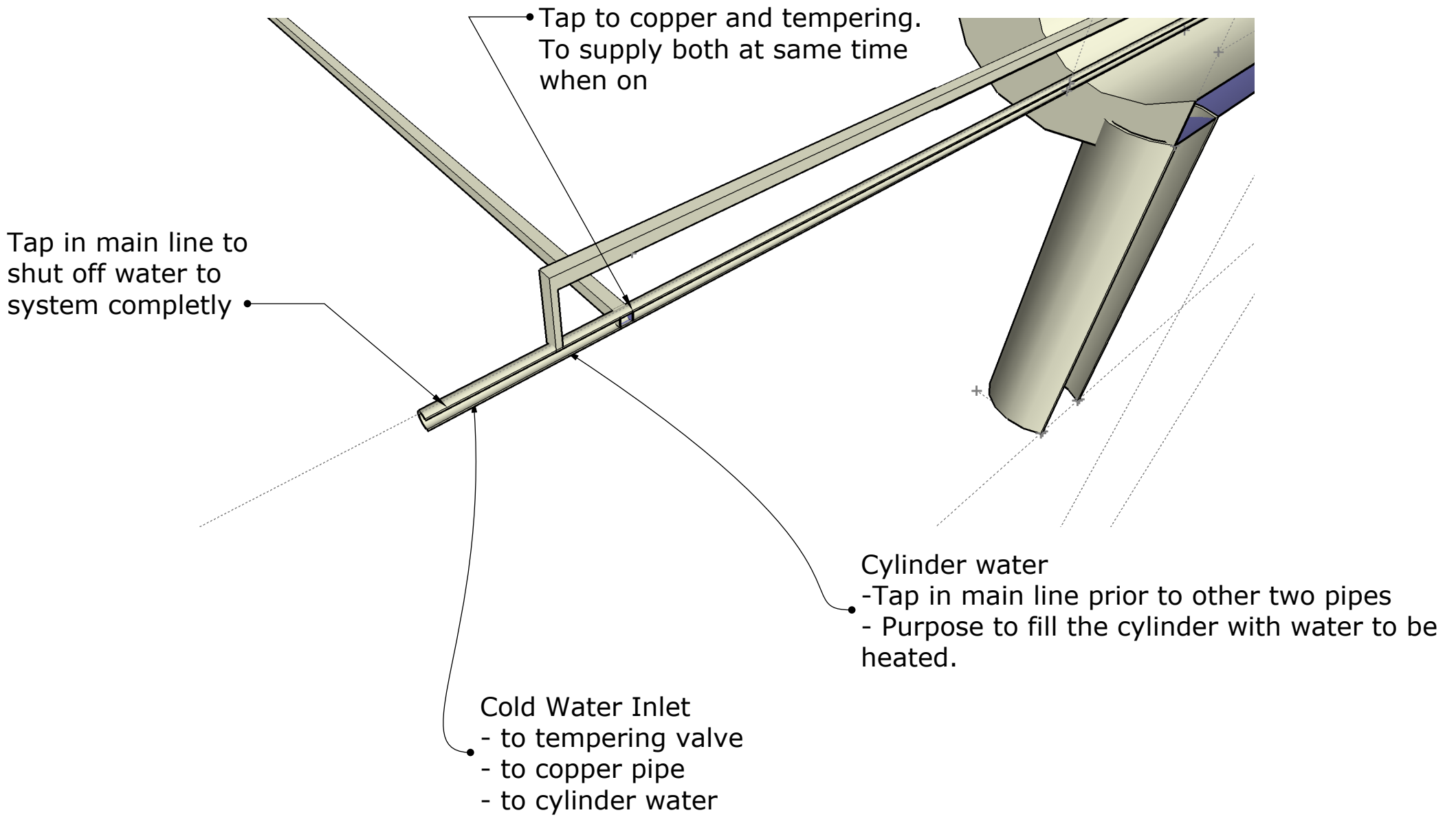
Hot area for smoke from rocket fire

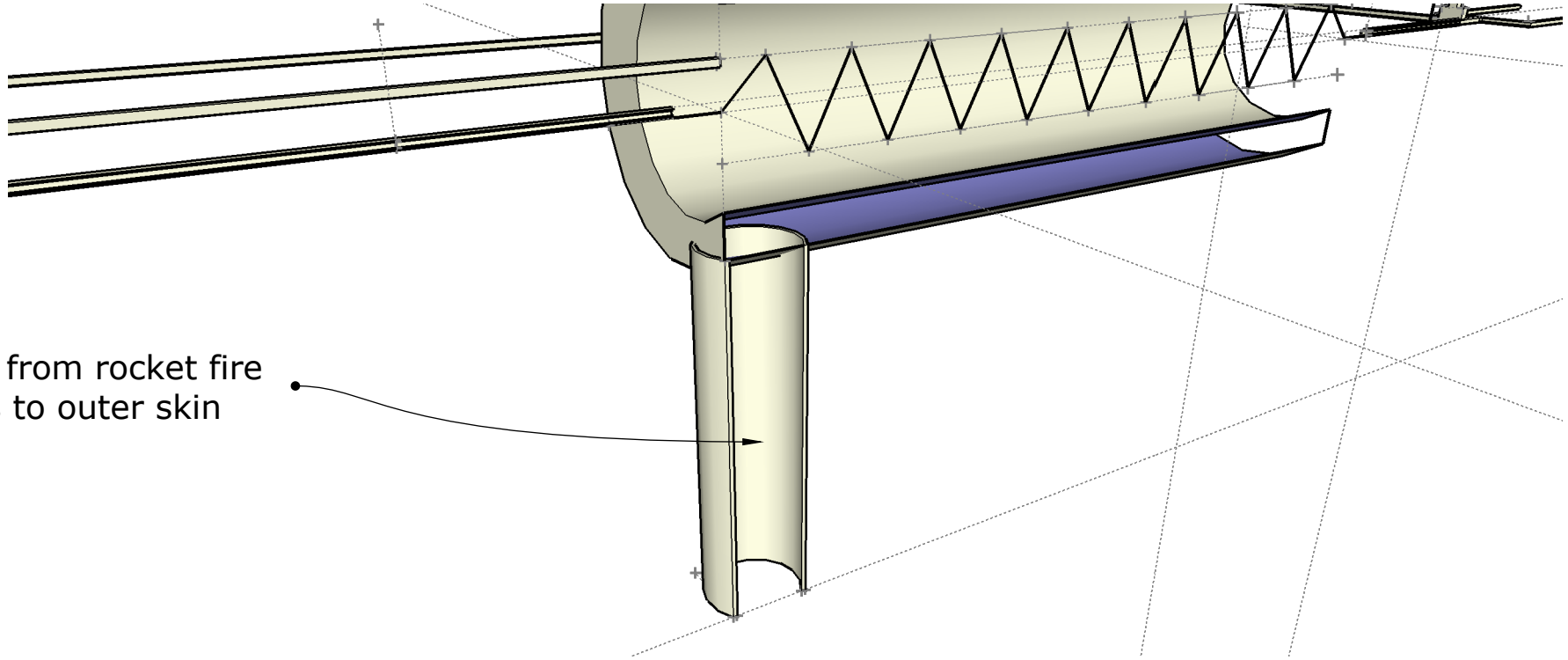


Pipes go through lids of drums

Hole in outer shell for smoke to escape.  
Little smoke due to complete combustion



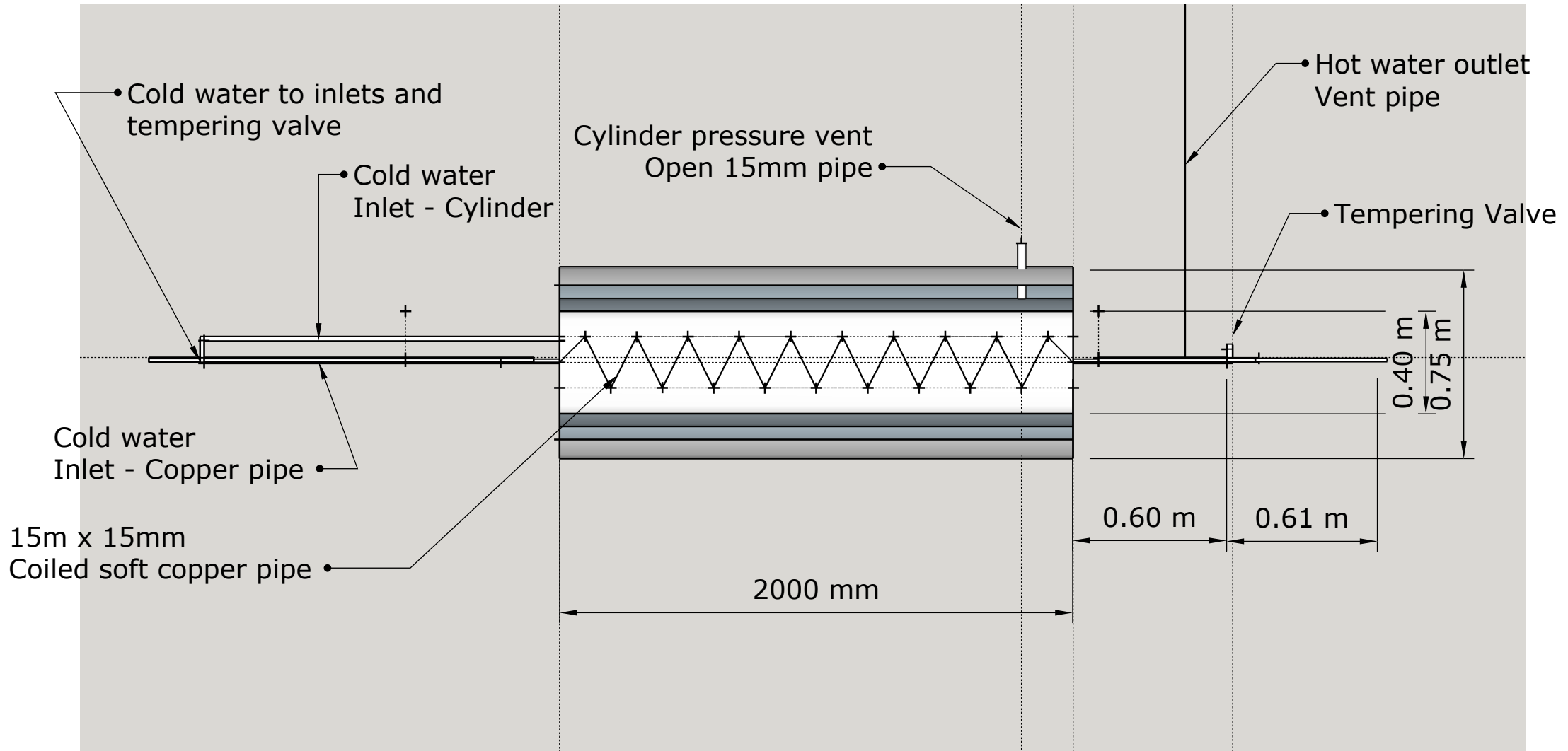




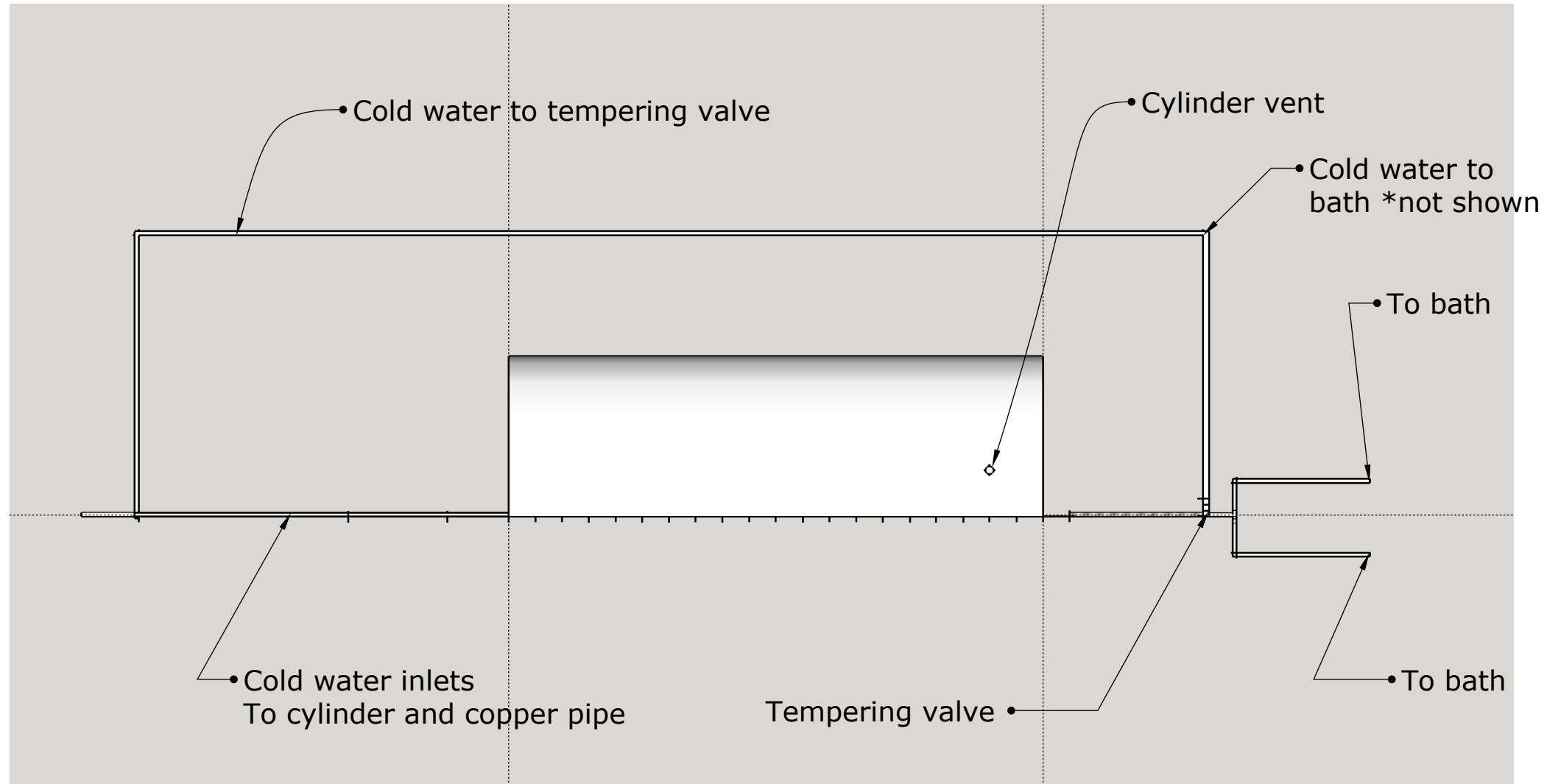
Chimney from rocket fire  
Connects to outer skin



# Side View - Measurements approx, for layout only.



# Top View - Layout



• Cold water to tempering valve

• Cylinder vent

• Cold water to bath \*not shown

• To bath

• Cold water inlets  
To cylinder and copper pipe

Tempering valve

• To bath