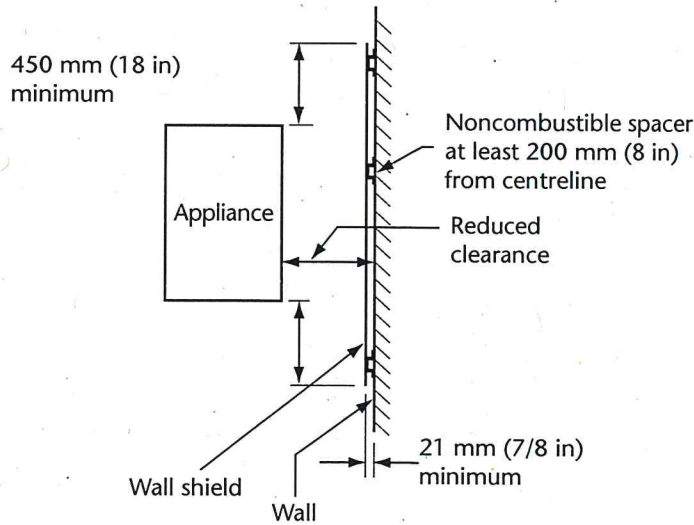


Note: The ceiling protection applied shall extend far enough in each direction to produce the required clearance, A.

Legend:

A = the required clearance to combustible ceiling construction with no protection

(a) Elevation



(b) Top view

Figure 6
Application of wall and ceiling protection

(See Clause 8.2.4 and Figure 4.)

(Continued)